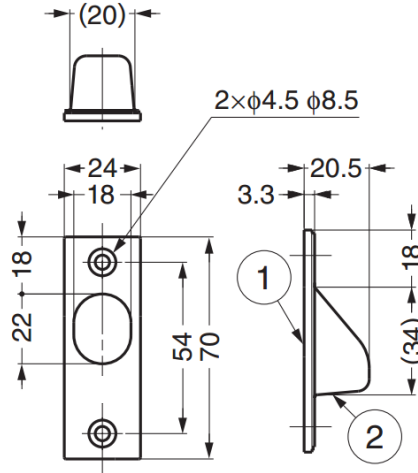
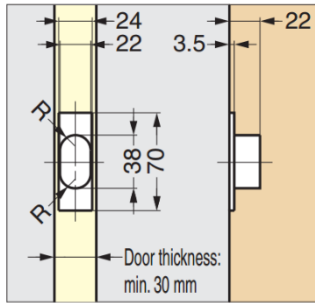


GYK-70 Stainless Steel Recessed Pull

Parts Included

- Countersunk head tapping screw 4 × 20 (SUS)

Cut Out Dimensions



Part No.
GYK-70

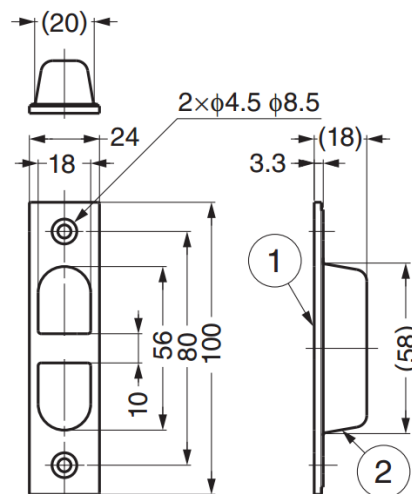
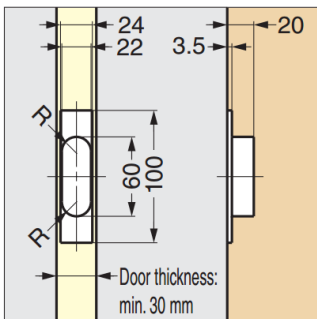
No.	Part Name	Material	Finish
①	Body	Stainless Steel (SUS304)	Satin
②	Case	Stainless Steel (SUS304)	Plain

GYK-W100 Stainless Steel Recessed Pull

Parts Included

- Countersunk head tapping screw 4 × 20 (SUS)

Cut Out Dimensions



Part No.
GYK-W100

No.	Part Name	Material	Finish
①	Body	Stainless Steel (SUS304)	Satin
②	Case	Stainless Steel (SUS304)	Plain